

ML4162 Stainless Steel Coat & Hat Hook

Material Specifications

- Stainless Steel Body
- Rubber Bumper

Dimensions

30mmW x 35mmH x 90mmD

Installation Instructions

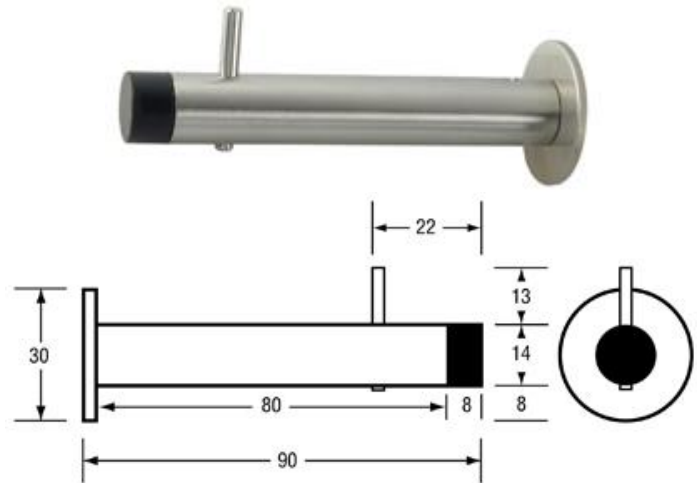
- *May be subject to Australian Building Code Regulations or architectural plans for installation height, which is the responsibility of the installer. It is recommended that any individual unit is installed whereby it clears any other fixtures by at least 150mm and not carry loads any greater than 8kg.*

1. Using the Allen key provided, undo the grub screw at the base of the hook to release the ferrule.
2. Locate fixing position on wall and mark using the ferrule, ensuring hook is level.
3. Drill holes and tighten the ferrule to the wall surface using the screws and wall plugs provided.
4. Check the hook is level. Attach the hook to the ferrule and tighten grub screw with the Allen key to finish installation.

Operation

- Rubber bumper protects walls or partition surfaces from being damaged.
- The ML4162 is only suitable with 33mm board thickness

*Please note – due to wall fixing plugs and ferrule this hook is not suitable for use with 13mm compact board. As an alternative we suggest using the 700_SS_COATHOOK or SENTINEL_HOOK_SS





This product is AS1428.1 compliant (accessible compliant) when installed in accordance with the guidelines.

The technical recommendations contained in this document are necessarily of a general nature and should not be relied on for specific applications without first securing competent advice. Whilst Metlam Australia Pty Ltd has taken all reasonable steps to ensure the information contained herein is accurate and current, it does not warrant the accuracy or completeness of the information and does not accept liability for errors or omissions. Any Commercial product should only be installed by a competent tradesperson and serviced/maintained by knowledgeable janitorial staff or competent people. Metlam Australia accepts no responsibility for any damage to product, walls or fixtures due to incorrect installation or maintenance of any of their products.